

NOTE:-
AMR = AUTOMATIC METER READING (PROVISION ONLY)

STATUS: CONSTRUCTION DRAWINGS (ELECTRICAL)	NORTH: 	0 ISSUED FOR CONSTRUCTION OCT 2017	CLIENT: GOVERNMENT OF PAKISTAN MINISTRY OF COMMUNICATIONS KARACHI INFRASTRUCTURE DEVELOPMENT COMPANY LIMITED (KIDCL)	CONSULTANT: EA Consulting Pvt Ltd Engineering, Architecture & Project Management Head Off: AL-9, 15th Lane, Kh-Hilal, Ph-VII, DHA, Karachi. Postal Code 75500. UAN: 111-111-584 Fax: +92-21-35841825. Web: www.eaworld.com	PROJECT: GREEN LINE BRTS FROM KESC POWER HOUSE CHOWRANGI, SURJANI TO MUNICIPAL PARK, SADDAR KARACHI CONSTRUCTION OF BRT GREEN LINE STATIONS	ORIGINAL DRAWING SHEET SIZE: A1	BUILDING NAME: STATION TYPE A ELEVATED SPLIT TYPE STATION	
		0 ISSUED FOR CONSTRUCTION OCT 2017				DRAWN SD SCALE NTS DESIGN AH DATE JULY-2017 CHECKED AH DATE CONS. APPROVED JIS ISSUE		DRAWING TITLE: MAIN DISTRIBUTION BOARD SINGLE LINE DIAGRAM
		0 REV. DESCRIPTION DATE				PROJ CODE 889 DRAWING NO. EA-889-BRT-STA-E1-0100 REVISION 0		

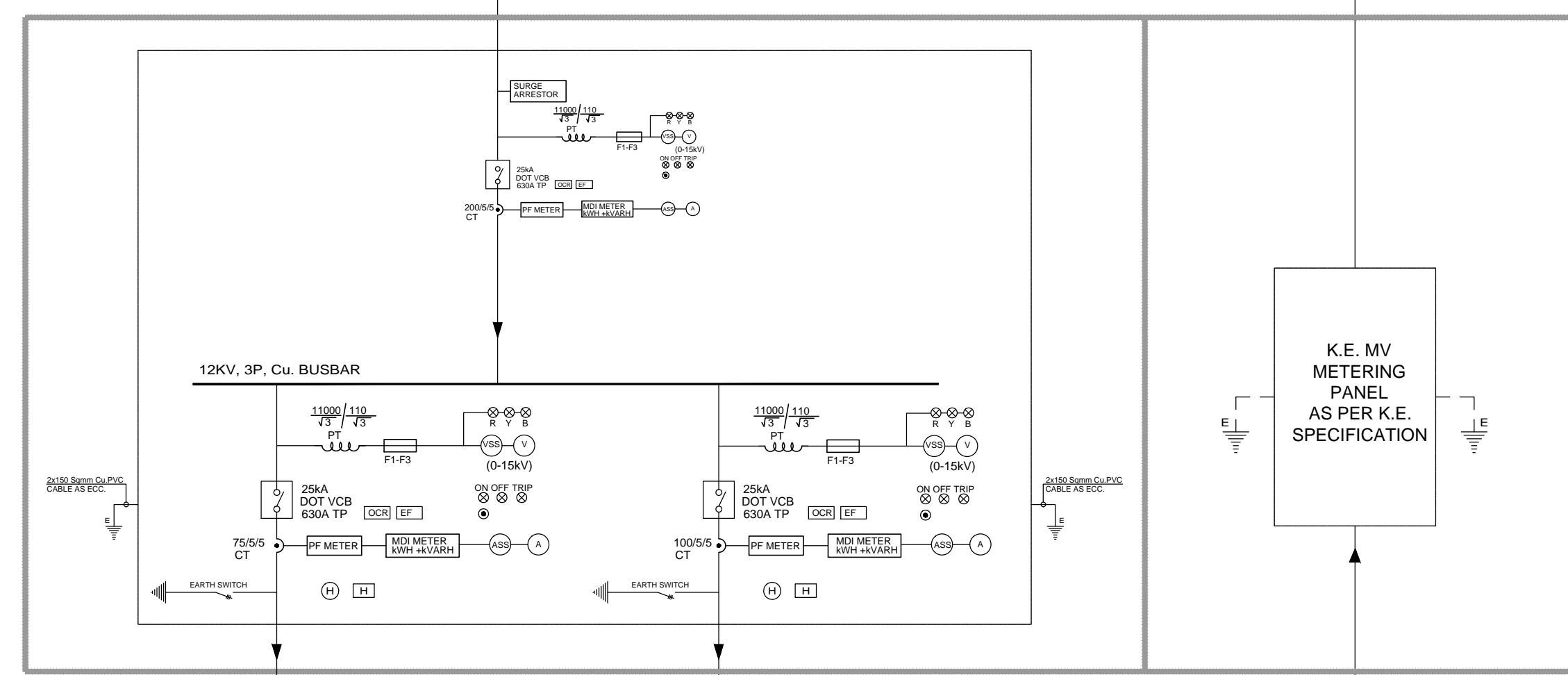
LEGEND

SYMBOLS	DESCRIPTION	SYMBOLS	DESCRIPTION
	800A, 12KV VACUUM CIRCUIT BREAKER (VCB)		AMPERE METER SELECTOR SWITCH
	SURGE ARRESTOR.		DIGITAL ENERGY METER KWH/KVARH/PFI/ PHASE TO PHASE V1 V2 V3/CURRENT I1,I2,I3/MDI
	EARTHING SWITCH		PUSH BUTTON VCB ON, VCB OFF, VCB TRIP
	CURRENT TRANSFORMERS		INDICATION LAMP FOR PHASES R-RED, Y-YELLOW, B-BLUE, VCB ON, VCB OFF, VCB TRIP
	VOLTAGE TRANSFORMER		CIRCUIT BREAKER TRIP INDICATION LAMP (ON & OFF)
	VOLT METER		HEATER 'ON' INDICATION LAMP.
	VOLT METER SELECTOR SWITCH		HOOTER
	AMPERE METER		ROD TYPE EARTH ELECTRODE
	KILOWATT HOUR METER		MULTIFUNCTION PROTECTION OVER CURRENT, SHORT CIRCUIT, EARTH FAULT
	KVAR HOUR METER		EARTHING BOLT
	PAD MOUNTED TRANSFORMER (N.I.C)		NOT IN CONTRACT
	HEATER		

KIDCL MV ROOM-1 (NAGAN)

15KV, 3C-300sqmm AL/XLPE/SWA/PVC CABLE

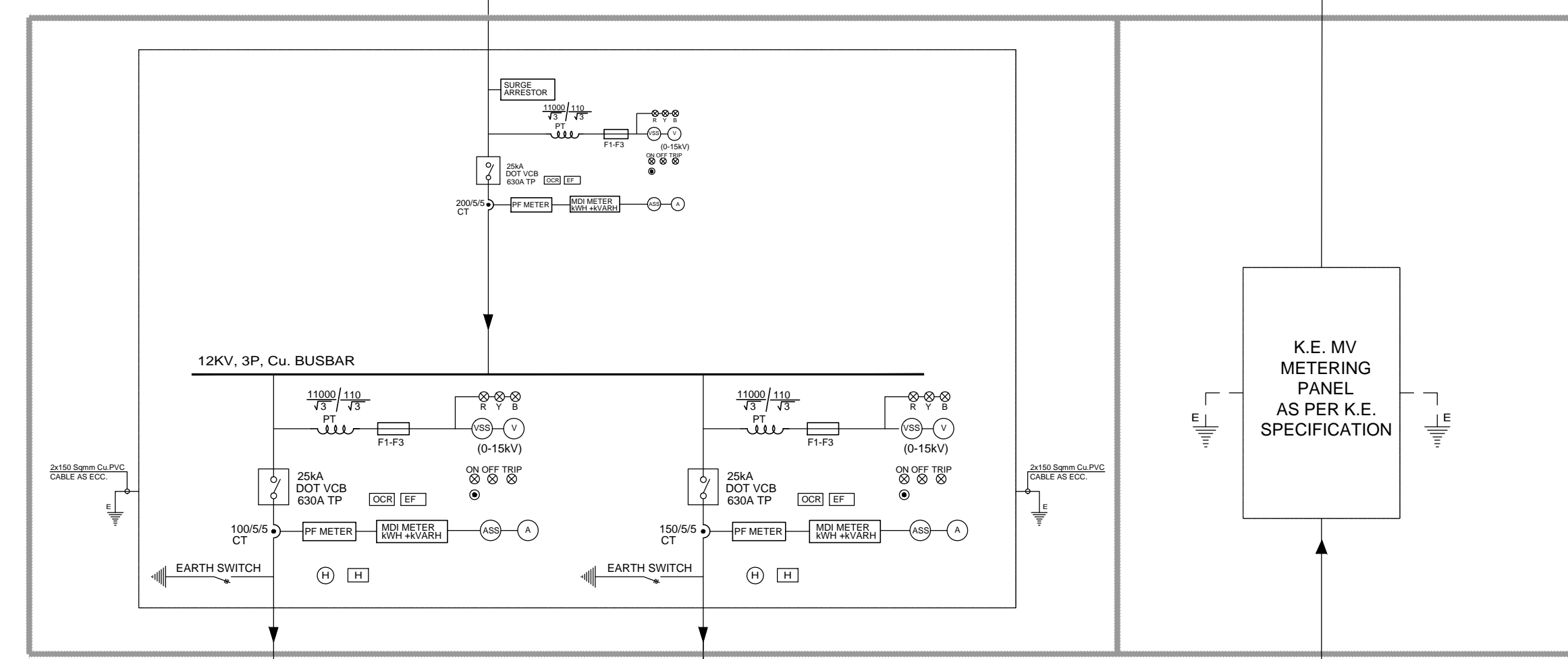
K.E MV ROOM-1 (NAGAN)



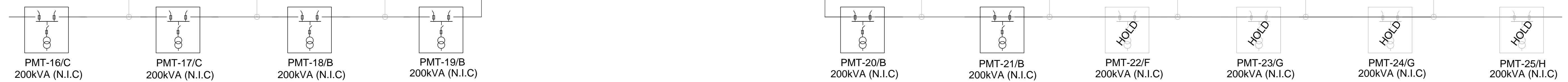
KIDCL MV ROOM-2 (LASBELA)

15KV, 3C-300sqmm AL/XLPE/SWA/PVC CABLE

K.E MV ROOM-2 (LASBELA)



NOTE:-
ALL THE PROTECTION ACCESSORIES, METERS, INDICATION LAMPS ETC. SHALL BE AS PER PROJECT SPECIFICATION / CLIENT REQUIREMENT



CONSTRUCTION DRAWINGS
(MV CABLE ROUTE)

REV.	DESCRIPTION	DATE
1	ISSUED FOR CONSTRUCTION	OCT-2018
0	ISSUED FOR CONSTRUCTION	NOV-2017

CLIENT:
GOVERNMENT OF PAKISTAN
MINISTRY OF
COMMUNICATIONS
KARACHI INFRASTRUCTURE
DEVELOPMENT COMPANY
LIMITED (KIDCL)

CONSULTANT:
EA Consulting Pvt Ltd
Engineering, Architecture & Project Management
Head Off: AL-9, 15th Lane, Kh-Hilal, Ph.VII, DHA,
Karachi. Postal Code 75500. UAN: 111-111-584
Fax: +92-21-35841825. Web: www.eaworld.com

PROJECT:
**GREEN LINE BRTS FROM KESC POWER
HOUSE CHOWRANGI, SURJANI TO
MUNICIPAL PARK, SADDAR KARACHI
NAGAN CHOWRANGI TO NAZIMABAD
CHOWRANGI
CONTRACT PACKAGE**

ORIGINAL DRAWING SHEET SIZE: A1			
DRAWN	J.A	SCALE	N.T.S
DESIGN	A.H	DATE	JUNE-2017
CHECKED	A.H	DESIGN STAGE	CONSTRUCTION
APPROVED	J.I.S	ISSUE	CONSTRUCTION
PROJ CODE	DRAWING NO.	REVISION	
889	EA-889-GEN-MV-05	1	

DRAWING TITLE:
MV SINGLE LINE DIAGRAM